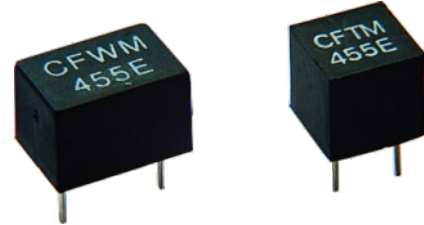


Ceramic Filters

Lt455 /450...U Series Ceramic Filters

Features

- Input / Output Impedance: 1000Ω ~ 2000Ω
- Highly Selective Ceramic Filters
- Center frequency: 450kHz, 455kHz
- RoHS Compliant
- Insertion Loss (dB) max: 4 db, 6 db
- Pass Band Ripple (dB) max: 2 db
- Applications: Mobile cellular, etc



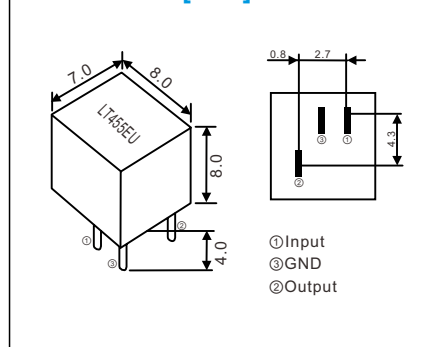
Standard Specification (455KHz)

| Part Number | Center Frequency (KHz) | Insertion Loss (dB) Max. | Passband Ripple (dB) Max. | 6dB Band Width (KHz) Min. | 50dB Band Width (KHz) Min. | Stop Band Att. ±100KHz (dB) Min. | Input /Output Impedance (Ω) |
|-------------|------------------------|--------------------------|---------------------------|---------------------------|----------------------------|----------------------------------|-----------------------------|
| LT455BU | 455±2.0 | 4 | 2 | ±15 | ±30 | 30 | 1500 |
| LT455CU | 455±2.0 | 4 | 2 | ±12.5 | ±24 | 30 | 1500 |
| LT455DU | 455±1.5 | 4 | 2 | ±10 | ±20 | 30 | 1500 |
| LT455EU | 455±1.5 | 6 | 2 | ±7.5 | ±15 | 30 | 1500 |
| LT455FU | 455±1.5 | 6 | 2 | ±6 | ±12.5 | 30 | 2000 |
| LT455GU | 455±1.5 | 6 | 2 | ±4.5 | ±10 | 30 | 2000 |
| LT455HU | 455±1.0 | 6 | 2 | ±3 | ±9 | 30 | 2000 |
| LT455IU | 455±1.0 | 6 | 2 | ±2 | ±7.5 | 30 | 2000 |
| LT455HTU | 455±1.0 | 6 | 2 | ±3 | ±9 | 40 | 2000 |

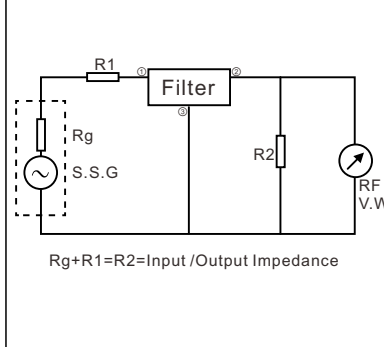
Standard Specification (450KHz)

| Part Number | Center Frequency (KHz) | Insertion Loss (dB) Max. | Passband Ripple (dB) Max. | 6dB Band Width (KHz) Min. | 50dB Band Width (KHz) Min. | Stop Band Att. ±100KHz (dB) Min. | Input /Output Impedance (Ω) |
|-------------|------------------------|--------------------------|---------------------------|---------------------------|----------------------------|----------------------------------|-----------------------------|
| LT450BU | 450±2.0 | 4 | 2 | ±15 | ±30 | 30 | 1500 |
| LT450CU | 450±2.0 | 4 | 2 | ±12.5 | ±24 | 30 | 1500 |
| LT450DU | 450±1.5 | 4 | 2 | ±10 | ±20 | 30 | 1500 |
| LT450EU | 450±1.5 | 6 | 2 | ±7.5 | ±15 | 30 | 1500 |
| LT450FU | 450±1.5 | 6 | 2 | ±6 | ±12.5 | 30 | 2000 |
| LT450GU | 450±1.5 | 6 | 2 | ±4.5 | ±10 | 30 | 2000 |
| LT450HU | 450±1.0 | 6 | 2 | ±3 | ±9 | 30 | 2000 |
| LT450IU | 450±1.0 | 6 | 2 | ±2 | ±7.5 | 30 | 2000 |
| LT450HTU | 450±1.0 | 6 | 2 | ±3 | ±9 | 35 | 2000 |

Dimensions[mm]



Test Circuit



Characteristics

