

OCXO (Oven Controlled Crystal Oscillator)

Thru-hole Type
NOCFS
 [20.3×12.7×11.0 mm]

Waveform
Rectangular
 HCMOS /Sine wave

Best Stability
±50 ppb

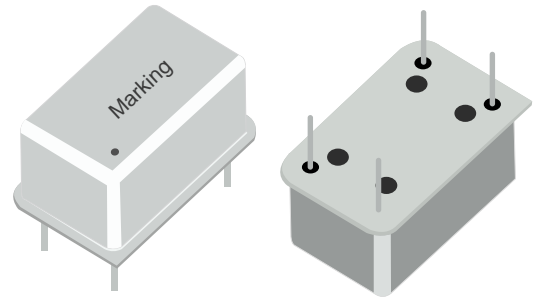
Voltage Control

Supply Voltage
3.3V / 5.0V

Frequency Range
5 MHz~100 MHz

Features

- Oven Controlled Crystal Oscillator (OCXO)
- Dimension 20.3×12.7×11.0/9.2 mm, DIP-14 thru-hole package
- Frequency range from 5MHz to 100MHz.
- ±50ppb stability over -20°C to +70°C.
- Stratum 3 (Overall ±4.6ppm including 10 years aging.)
- Voltage control (Electronic frequency tuning) is available.
- RoHS Compliant
- Applications: SDH/SONET, Telecommunication base station, Test and measurement equipment, Synthesizer, etc.



Standard Specifications

NOCFS (20.7×12.7×11.0/9.2 mm Thru-Hole OCXOs)

Output Frequency	5.000MHz~40.000MHz	10.000MHz~100.000MHz	
Wave Form	Rectangular	HCMOS	Sine Wave
Level	-	-	8 dBm min.
“1” Level	90% Vcc	80% Vcc	-
“0” Level	10% Vcc	20% Vcc	-
Duty Cycle	45%~55%	40%~60%	-
Rise/Fall time / Harmonics	6ns max.	3ns max.	-30dBc max.
Load	15pF	1KΩ // 10pF	50Ω
Spurious	-60dBc max.	-	-80dBc max.
Frequency stability Tolerance	±50ppb~±200ppb	±50ppb~±100ppb	
vs. Temperature	±50ppb~±200ppb	±50ppb~±100ppb	
vs. Supply voltage	±50ppb max.	±20ppb max.	
vs. Load	±0.5ppb max.	±10ppb max.	
vs. Warm-up	±0.1ppm max.	±50ppb max.	
vs. Short term	±0.05ppb/s max.	±0.05ppb/s max.	
vs. Aging	-	-	
Daily	±0.5ppb max.	±5.0ppb max.	
Yearly	±0.5ppm max.	±500ppb max.	
10 Years	±3.0ppm max.	±1.7ppm max.	

OCXO (Oven Controlled Crystal Oscillator)

Thru-hole Type
NOCFS
[20.3×12.7×11.0 mm]

Waveform
Rectangular
HCMOS /Sine wave

Best Stability
±50 ppb

Voltage Control

Supply Voltage
3.3V / 5.0V

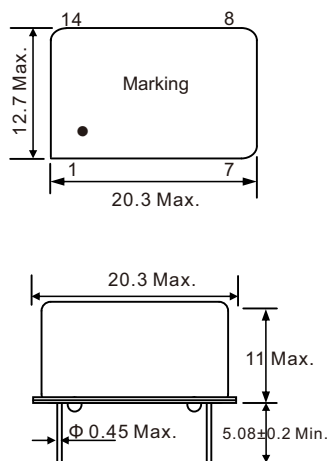
Frequency Range
5 MHz~100 MHz

Standard Specifications

NOCFS (20.7×12.7×11.0/9.2 mm Thru-Hole OCXOs)

Output Frequency	5.000MHz~40.000MHz	10.000MHz~100.000MHz
Phase noise	@10Hz	-105dBc/Hz max.
	@100Hz	-130dBc/Hz max.
	@1KHz	-140dBc/Hz max.
	@10KHz	-150dBc/Hz max.
	@100KHz	-160dBc/Hz max.
Electrical Frequency Adjustment	-	-
Tuning range	±5.0ppm max.	±2.0ppm min.
Control voltage	0~3.3V / 0-5V	0~3.0V / 0~4.5V
Slope	Positive	Positive
Center voltage	+1.65V / +2.5V	+1.65V / +2.25V
Linearity	±10%	±10%
Input impedance	100KΩ max.	100KΩ max.
Power	Voltage	3.3V / 5.0V
	Current	400mA max.
	State state	0.8W max.
Temperature	Operating temperature	-20°C~+70°C, -40°C~+85°C
	Storage temperature	-55°C~+105°C

Dimensions And Pin-functions (Unit: mm)



Pin Connections

Pin No.	Connection
1	Vco Input /NC
7	0 Volts & Case
8	R.F. Output
14	Vdd

